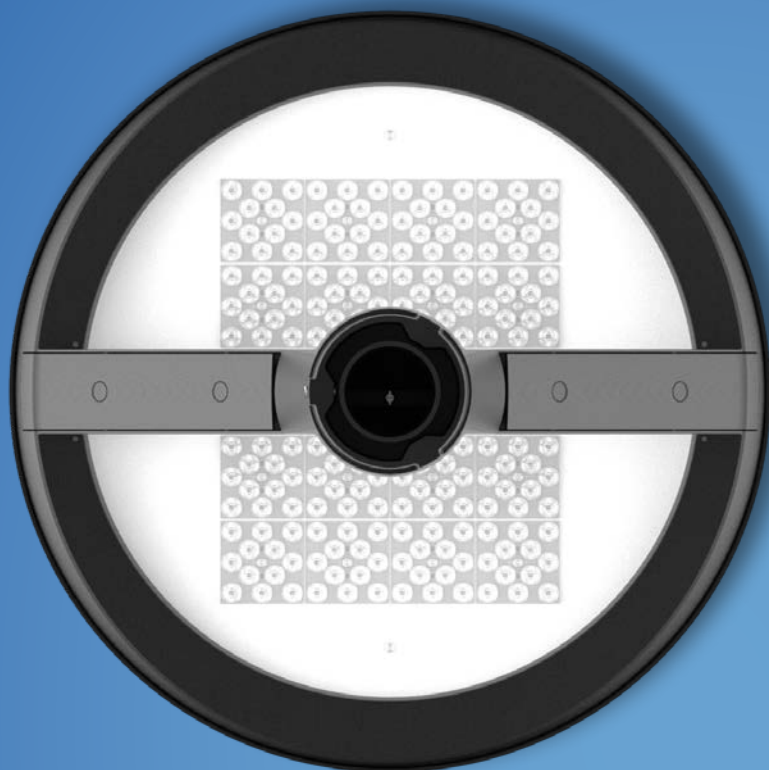


MINIMAL

Urban Series



MODERN ESSENTIAL DESIGN, WITH OUT-STANDING PERFORMANCE.

ESSENTIAL DESIGN

Contemporary and architectural design, that enhances elegant appearance of the Minimal Urban Lighting.

The top of the Minimal LED pole gives an architectural style to the area and surrounding it, the contemporary design emphasizes the organic and orderly appearance of the urban environment.

EASY INSTALLATION

Smooth housing without any screws exposed.

Fast connectors and the driver installed into the pole ensure an easier installation and maintenance.

A FULL RANGE OF OPTICS AND CONTROL OPTIONS

The professional optics provide an excellent effect, managing glare while providing high quality of light.

CREE  **LIGHTING**

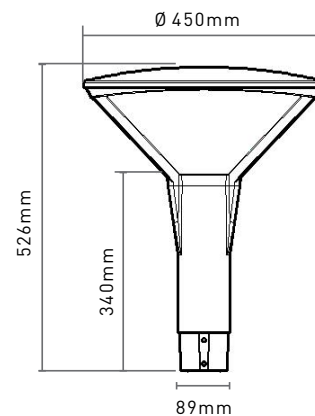
Discover the charm of your city under a new light.

The aesthetics of the city is inseparable from lighting, Minimal satisfied the trend of urban differentiation with smooth curvature, which effectively prevents the accumulation of dust and leaves, not only creates a neat atmosphere, but also provides excellent heat dissipation.

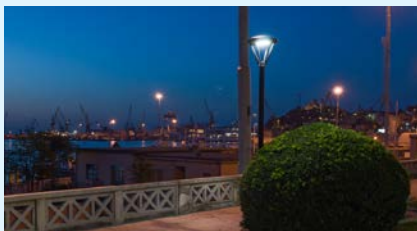
PERFORMANCE SUMMARY

- **Efficacy:** Up to 120 Lm/W
- **Lumen Output:** Up to 5400 Lm
- **IK Rating:** IK09
- **IP Rating:** IP66
- **Control Options:** Fixed Output, Virtual Midnight, Costant Lumen, Virtual Midnight + Constant Lumen
- **Input Voltage:** 220-240V, 50/60 Hz
- **Power factor:** >0.9 at full load
- **Surge protection:** 6kV CM/ 10kV DM secondo EN 61000-4-5 and EN 61547
- **Warranty:** 5 years on luminaire
- **Certifications:** CE

DIMENSIONS

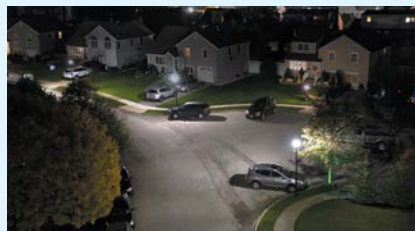


APPLICATIONS



Urban beautification

A light that not only provides illumination, but preserves the historic look of the streetscape, welcoming residents with beautiful light, all while enhancing the charm of each urban space.



Residential lighting

Upgrade residential lighting in streets, public buildings, walkways, parking structures, and common areas. Not only this will help keep your operating and maintenance budget in check, it will provide dramatically better visibility — making public areas safe and secure.



Parks and public spaces

Enhance your public spaces with perfect on target lighting. Dramatically reduce uplight and spill-light without sacrificing nightscape appearance through advances in the primary optical system designed.

Visit www.creelighting-europe.com or contact Cree Lighting representative to learn more.

info@creelighting.com

© 2020 Cree Lighting, A company of IDEAL INDUSTRIES. All rights reserved. For informational purposes only. Content is subject to change. Patent www.creelighting.com/patents.Cree and the Cree logo are registered trademarks and the Cree SmartCast Technology Logo is a trademark of Cree, Inc. Rev. Date: 03/11/2020

CREE  **LIGHTING**

A COMPANY OF [IDEAL INDUSTRIES, INC.](http://www.idealindustries.com)