

SPECIFICATION

LED DOWNLIGHT



LED DOWNLIGHT

PRODUCT FEATURE

- SMD led light source, high lumen efficiency
- Dimmable and Non-dimmable are both available .
- CE, Rohs certificate . 3 years' warranty



Parameter

Rated Power : 6W/8W/10W/18W/23W/30W

CCT: 3000K/4000K/5000K/5700K/6500K

PF : >0.9

THD: <20%

CRI: 83Ra

Non dimmable : Input voltage 100~240 Vac

Triac dimmable : Input voltage 100~180 or 180-240Vac

LED.Licht.Lösungen

Brenner GmbH

1230 Wien/AUT · Isoppgasse 22
T 0664 4554 227 · F (01) 3180 567

SPECIFICATION

LED DOWNLIGHT

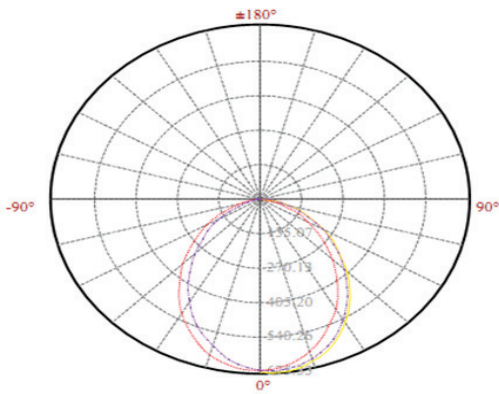


PARAMETER

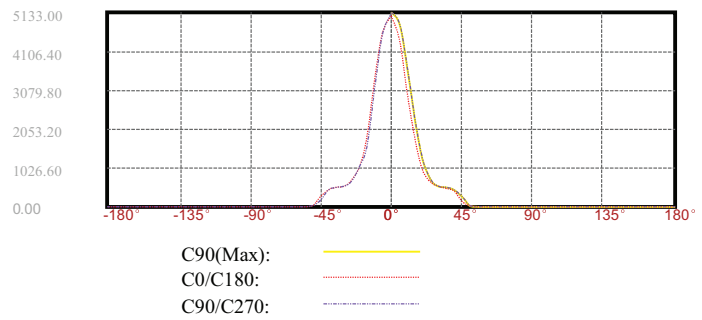
Downlight Series

Size	3.5inch	4inch	5inch	6inch	8inch	8inch
Rated Power	6W	8W	10W	18W	23W	30W
Luminous Flux	350Lm	500Lm	800Lm	1200Lm	1450Lm	2100Lm

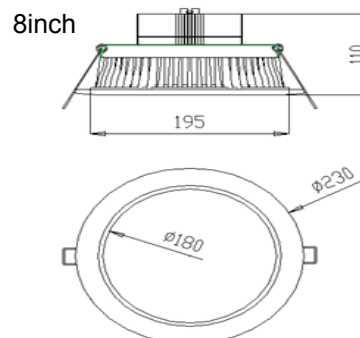
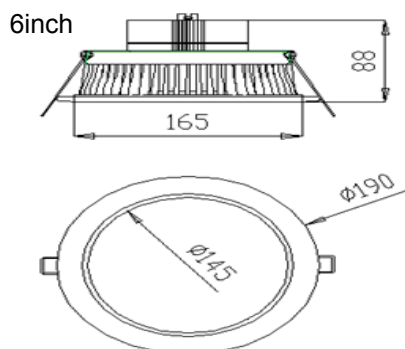
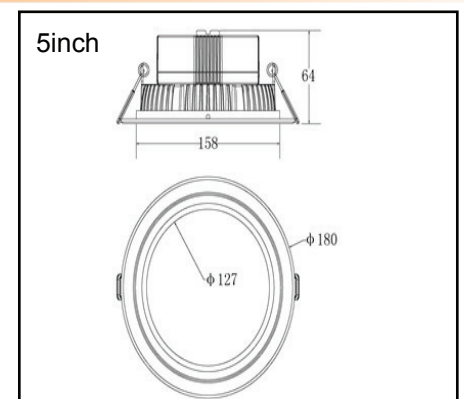
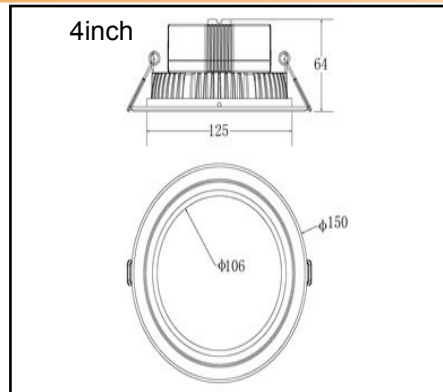
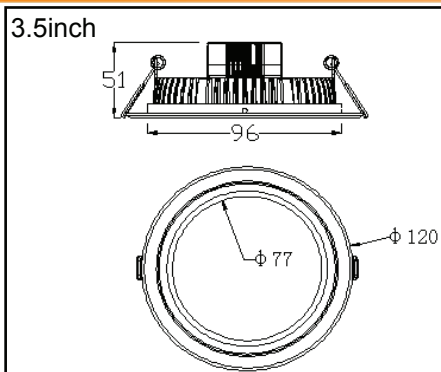
LUMINOUS INTENSITY DISTRIBUTION



Luminous intensity distribution
(unit: cd)



MECHANICAL SPECIFICA

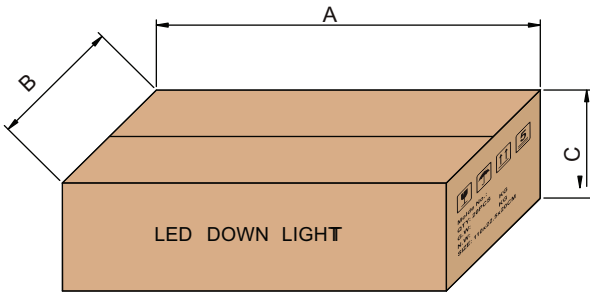


SPECIFICATION

LED DOWNLIGHT



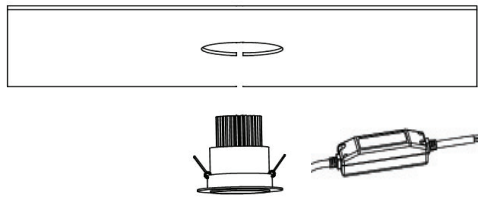
PACKAGE



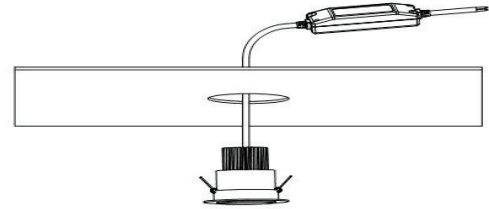
Pcs/Box

Rated Power	N.W/Carton	Inner box size	N.W/Carton	G.W/Carton	BOX/PCS
6W	0.24KG	280*280*305mm	4.80KG	7.00KG	20PCS
8W	0.4KG	330*330*365 mm	8.00KG	10.00KG	20PCS
10W	0.52KG	395*395*365mm	10.40KG	12.80KG	20PCS
18W	0.78KG	512*412*412mm	15.60KG	17.80KG	20PCS
23W	1.00KG	492*492*540mm	20.00KG	24.50KG	20PCS
30W	1.00KG	492*492*540mm	20.00KG	24.50KG	20PCS

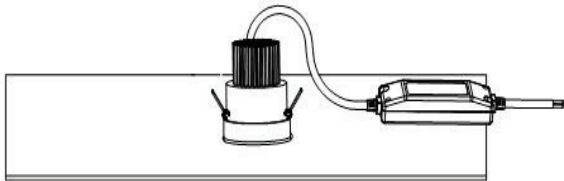
INSTALLATION INSTRUCTIONS



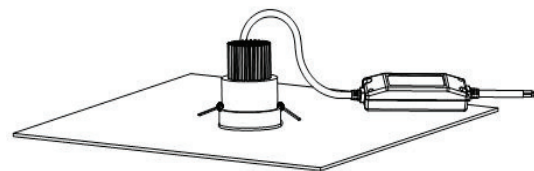
Step 1: Drill a right hole where to need to install Downlight



Step 2 : Connect operating voltage to L/N terminals.
:Pull up spring clamp before putting the downlight into the hole.



Step 3: Fasten downlight and the spring clamp will be automatically back to the wooden partition.



Step 4 Finish installation

CAUTION

- 1). Risk of electric shock. Ensure that the power supply is off when installation is made.
- 2). The device should be installed and operated by a qualified electrician or technician in accordance with relevant local codes.
- 3). Do not use sharp tools near or on the surface of the device.
- 4). Lamp is not suitable for dimming.
- 5). Unpack and carefully examine the product.
- 6). Report any damage and save all packing materials if any portion of the product was damaged during transportation.
- 7). Do not attempt to use the apparatus if it is damaged.

LED.Licht.Lösungen

Brenner GmbH

1230 Wien/AUT · Isoppgasse 22
T 0664 4554 227 · F (01) 3180 567